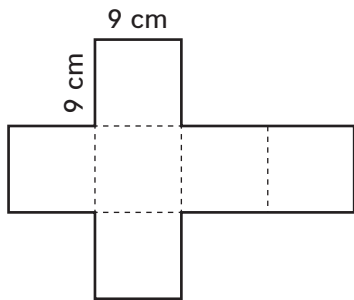


Surface Area Using Nets

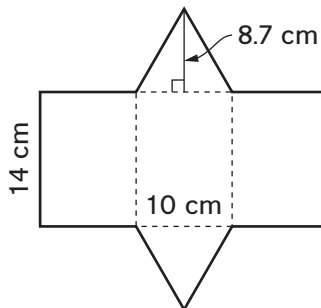
Silly Socks is trying to choose a type of plastic box for their socks. The nets for three different box designs are given below.



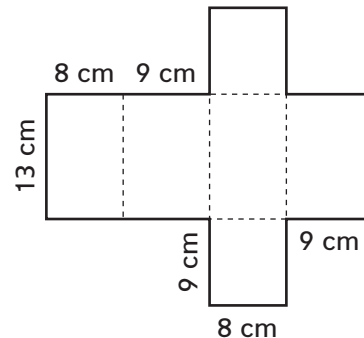
Design 1



Design 2



Design 3



① Without calculating, predict which design will require the least amount of plastic to produce.

② Find the surface area for each plastic-box design. Write a number sentence to show how you found the surface area. Remember to use the correct order of operations.

Box Design	Surface Area	Number Sentence
Design 1		
Design 2		
Design 3		

③ Explain how to find the surface area for any rectangular or triangular prism.

Practice Divide. Find your answer to the nearest hundredth.

④ $8 \overline{)7,034}$

⑤ $18 \overline{)6,723}$

⑥ $54 \overline{)6,624}$